

POSTER

EMCCD Camera Performance Tests

D. Lewova, M. Němec, I. Procházka, K. Hamal (1)

G. Kirchner, F.Koidl (2)

Yang Fumin(3)

D. Kucharski (4)

presented at

15th International Workshop on Laser Ranging, Canberra, Australia

15-20 October, 2006

Czech Technical University in Prague, Czech Republic

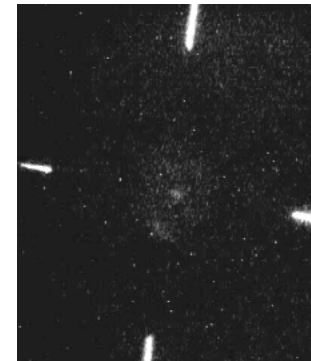
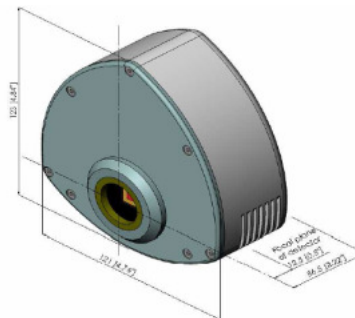
EMCCD Camera Performance Tests

- EMCCD provides high sensitivity for short integration time required for fast real time tracking
- In comparison with ISIT, EMCCD offers adjustability of exposure time and EM gain
- During our tests in Graz and Shanghai we did demonstrate the ability for SLR during daylight and night

ISIT



EMCCD

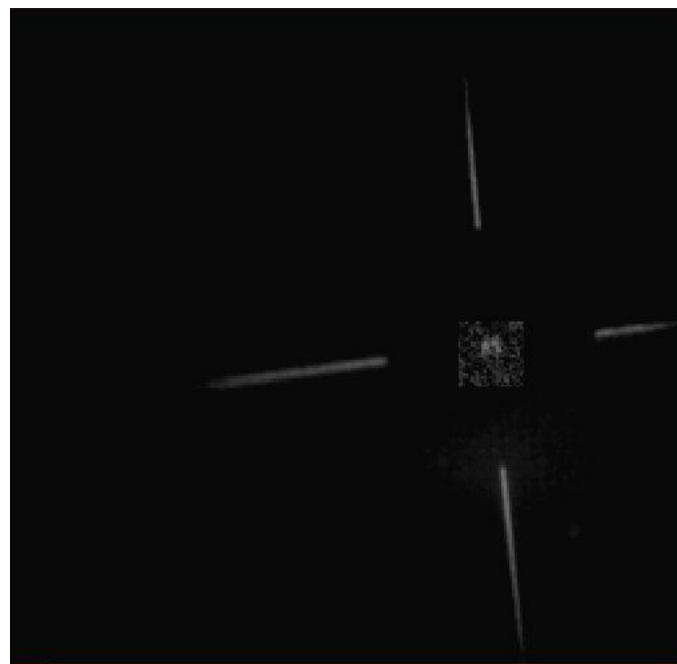


EMCCD Camera Performance Tests

On-line filter GPS 36



without



with