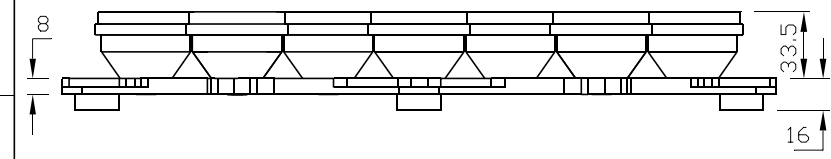
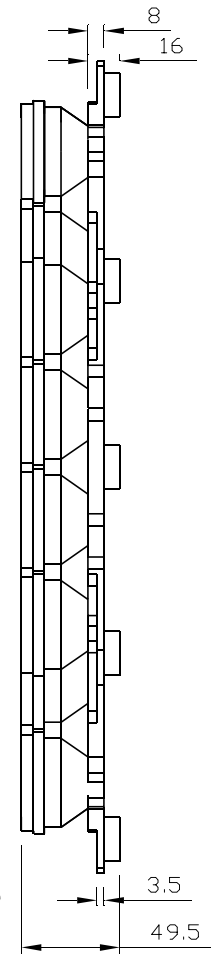
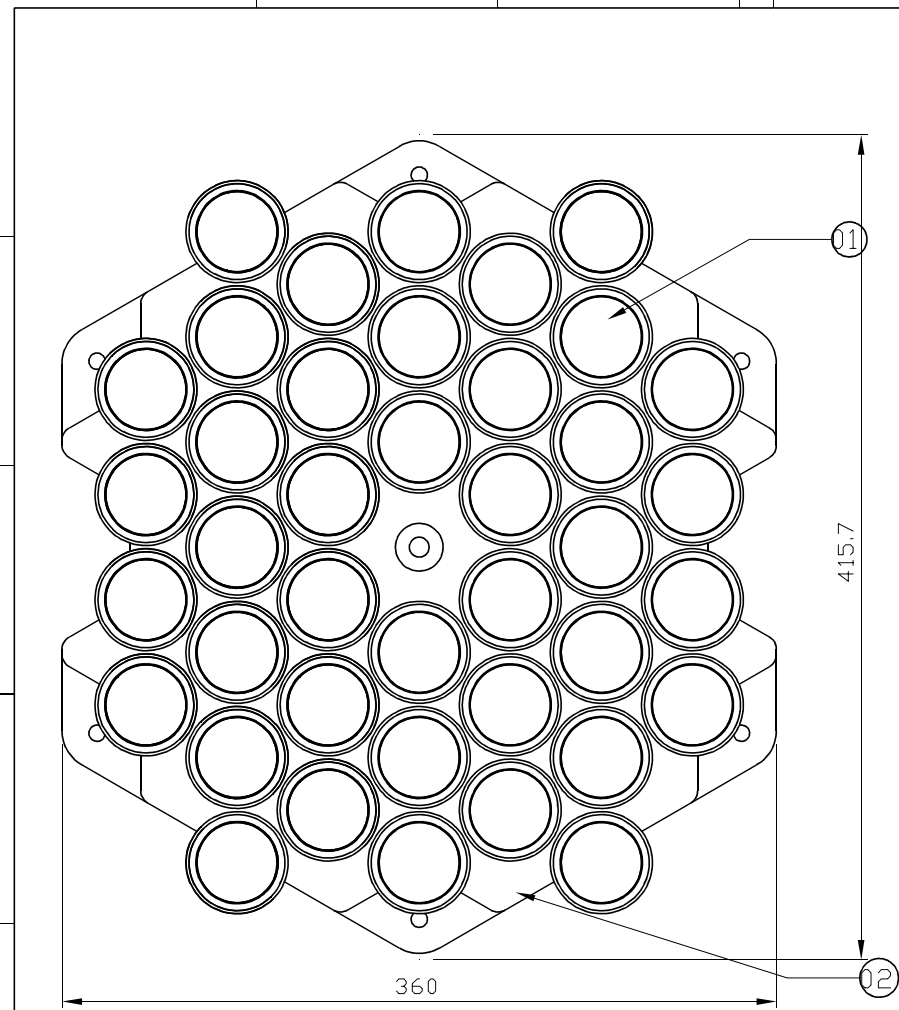
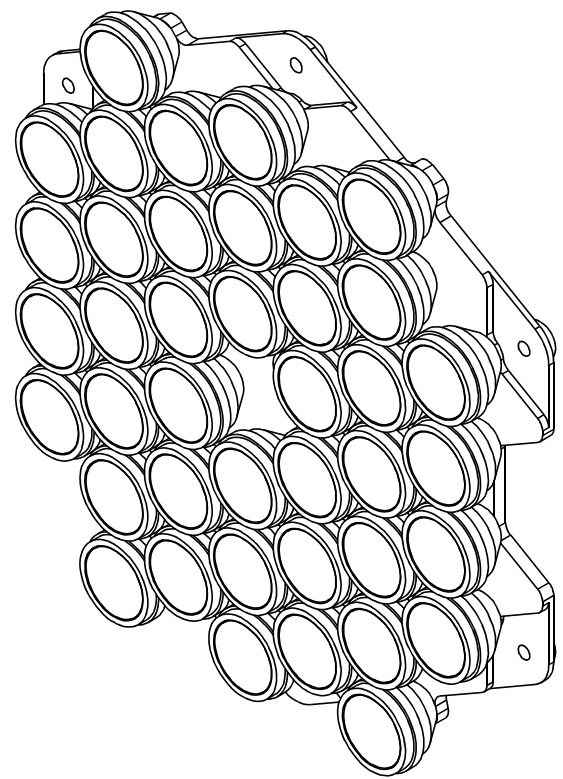


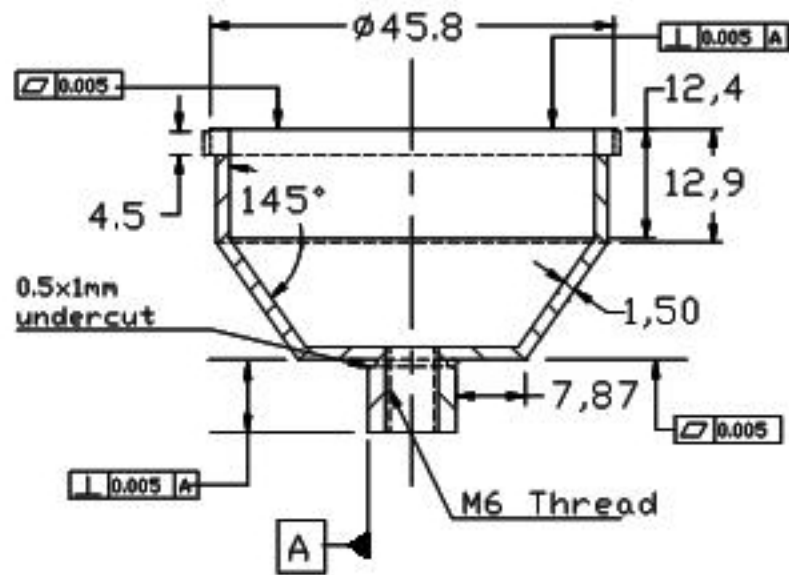
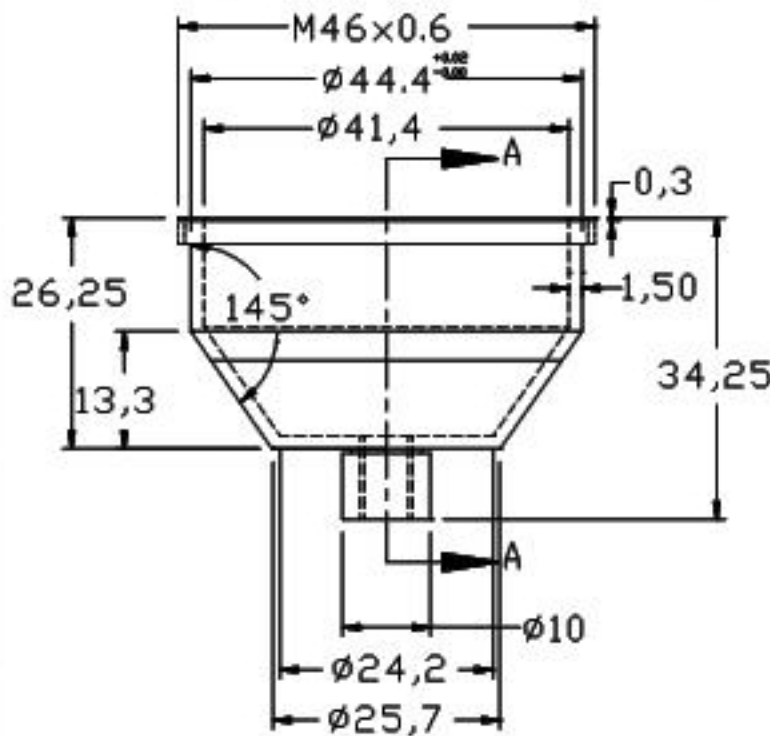
THIS IS THE PROPERTY OF GOVT. OF INDIA , LEOS , ISRO ,BANGALORE - 560058



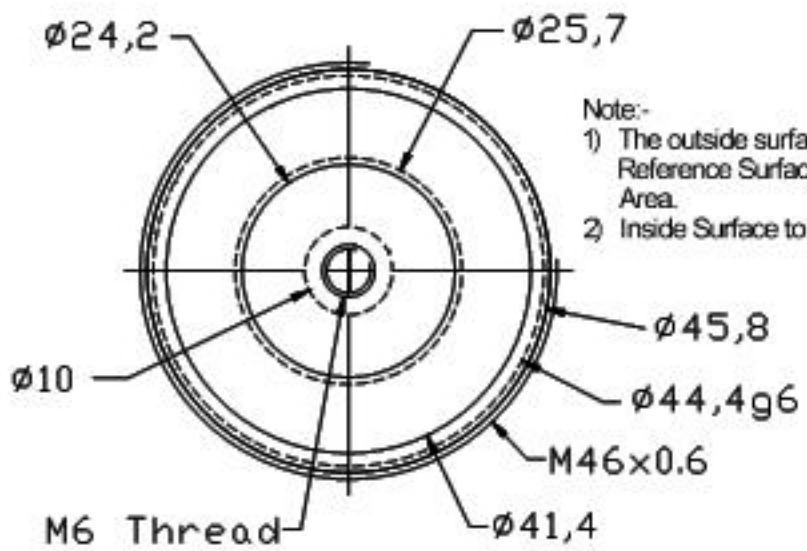
REVISIONS				
ZONE	REV	DESCRIPTION	DATE	APPROVED



SLNO	DESCRIPTION	QTY	MATERIAL
01	ASSEM CORNER CUBE HOUSING	40	TI_6Al_4V
02	TITANIUM TRAY	01	TI_6Al_4V



SECTION A-A



- Note:-
- 1) The outside surface to be coated with Solar Reflective Coating Except for the Reference Surface A and the Critical Surfaces with 5 micron planarity and Thread Area.
  - 2) Inside Surface to be Black Painted.

Chamfer <math>0.1 \times 45^\circ</math>

REVISIONS				
ZONE	REV	DESCRIPTION	DATE	APPROVED

INSPECTION POINTS BY INSPECTION		DATE	BY	REMARKS	NO.	REV.	REVISION
▽	□						
▽	□						

CORNER CUBE BASE HOUSING							
DESIGNED		DATE		LABORATORY FOR ELECTRO OPTICS SYSTEMS (LEOS) ISRO			
DRAWN				PERIYAR BANGALORE - MHA			
CHECKED							
APPROVED							