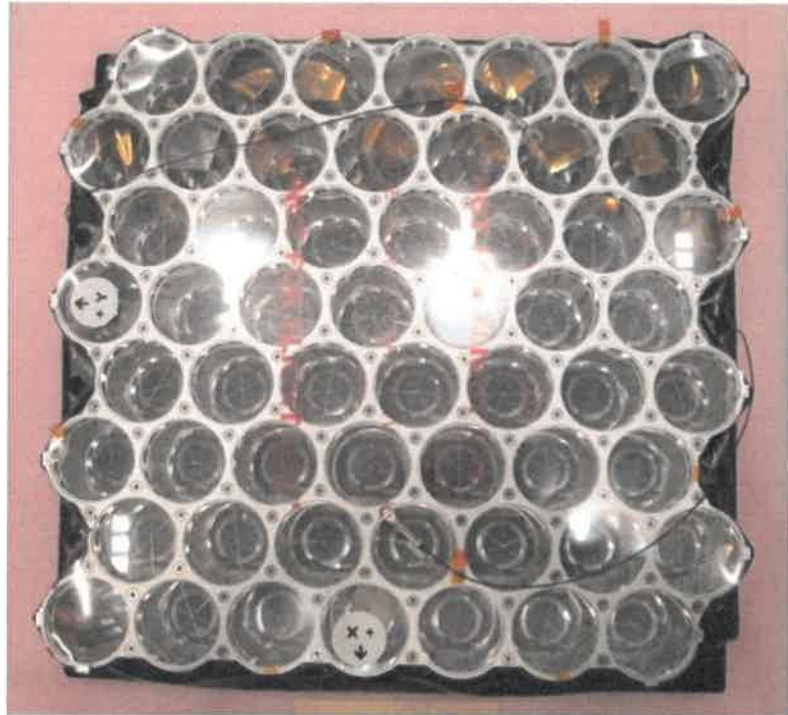
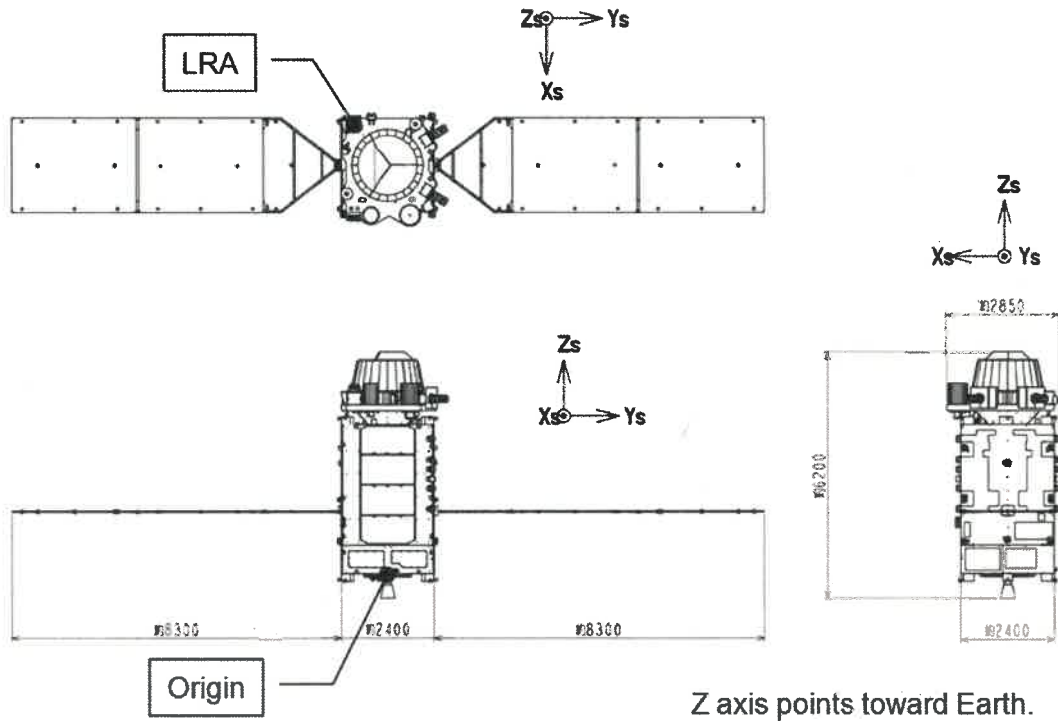


1. Photographs of LRA



2. Diagram of satellite-body-fixed XYZ coordinates on the spacecraft



3. Center of Mass Information

3-D location (possibly time-dependent) of the satellite's mass center relative to a satellite-based origin:

At BOL, the satellite's mass center is given by $(x,y,z)=(0.0, 0.0, 1807.6)$ [mm]

At EOL, the satellite's mass center is given by $(x,y,z)=(0.0, 0.0, 1893.4)$ [mm]