

**ILRS SLR MISSION SUPPORT REQUEST FORM (version: April, 2016)**

**SUBMISSION STATUS:**

- New Submission (default)
- Incremental Submission (accepted only for a follow-on mission; fill-in new information only)  
(provide the reference mission and the date approved by the ILRS: QZS-1 )

**SECTION I: MISSION INFORMATION:**

**General Information:**

Satellite Name: QZS-2

Satellite Host Organization: Cabinet Office, Government of Japan

Web Address: http://www.cao.go.jp/

**Contact Information:**

Primary Technical Contact Information:

Name: Tamaki Takahashi

Organization and Position: Mission Design Department Space Systems Division, NEC Corporation, Manager

Address: Mail Code :41000 1-10 Nisshin-cho, Fuchu-city, Tokyo, 183-8501, Japan.

Phone No.: +81 42 333 3938

E-mail Address: t-takahashi@mf.jp.nec.com

Alternate Technical Contact Information:

Name: Yoshimi Ohshima

Organization and Position: Mission Design Department Space Systems Division, NEC Corporation, Assistant Manager

Address: Mail Code :41000 1-10 Nisshin-cho, Fuchu-city, Tokyo, 183-8501, Japan.

Phone No.: +81 42 333 3938

E-mail Address: y-ohshima@cb.jp.nec.com

Primary Science Contact Information:

Name: Yoshihiro Iwamoto

Organization and Position: Integrated Systems Department Space Systems Division, NEC Corporation, Manager

Address: Mail Code :41000 1-10 Nisshin-cho, Fuchu-city, Tokyo, 183-8501, Japan.

Phone No.: +81 42 333 3996

E-mail Address: y-iwamoto@ab.jp.nec.com

Alternate Science Contact Information:

Name: Junko Matsuyama

Organization and Position: Integrated Systems Department Space Systems Division, NEC Corporation, Assistant Manager

Address: Mail Code :41000 1-10 Nisshin-cho, Fuchu-city, Tokyo, 183-8501, Japan.

Phone No.: +81 42 333 3996

E-mail Address: j-matsuyama@bu.jp.nec.com

**Mission Specifics:**

Scientific or Engineering Objectives of Mission:

(specify)

For Satellite navigation

Role of Satellite Laser Ranging (SLR) for the Mission:

(specify)

Calibration of GPS orbits

Anticipated Launch Date: 1-Jun-17

Expected Mission Duration: 15 years

Required Orbital Accuracy: Millimeter to Centimeter ranging accuracy

**Anticipated Orbital Parameters:**

Altitude (Min & Max for eccentric orbits): 32,000-40,000 km

Inclination: 45 degrees  
Eccentricity: 0.075  
Orbital Period: 24H  
Frequency of Orbital Maneuvers: every 181 days

**Mission Timeline:**

(example)

Should include when SLR is to start within the mission timeline, such as "on insertion into orbit" or "launch +N" days.

launch +15 days

**Tracking Requirements:**

Tracking Schedule:  horizon-to-horizon  custom (specify: all day)

Spatial Coverage:  global ILRS network  custom (specify: Around Western Pacific Ocean)

Temporal Coverage:  full-time  custom (specify: \_\_\_\_\_)

Normal Point Bin Size (Time Span): 300 seconds

(Choose one from 5, 15, 30, 120 and 300 seconds. Justify if other bin size is required.)

(See the "Bin Size" of other satellites on the ILRS Web site at

[http://ilrs.gsfc.nasa.gov/missions/satellite\\_missions/current\\_missions/index.html](http://ilrs.gsfc.nasa.gov/missions/satellite_missions/current_missions/index.html) .)

Prediction Center: QSS/NEC

**Prediction Technical Contact Information:**

Name: Shiraishi Masakazu

Organization and Position: Integrated Systems Department Space Systems Division, NEC Corporation, Assistant Manager

Address: Mail Code :41000 1-10 Nisshin-cho, Fuchu-city, Tokyo, 183-8501, Japan.

Phone No.: +81 42 333 3996

E-mail Address: m-shiraishi@yk.jp.nec.com

Priority of SLR for POD:  Primary  Secondary  Backup

**Other Sources of POD:**

GNSS  DORIS  Accelerometer  other (specify: QZS-2,-4 L-band NAV Signals)

**Other comments on mission information:**

(specify) (list backup prediction centers and references/links to non-SLR techniques if available)

n/a

## SECTION II: TRACKING RESTRICTIONS:

Several types of tracking restrictions have been required during some satellite missions. See [http://ilrs.gsfc.nasa.gov/satellite\\_missions/restricted.html](http://ilrs.gsfc.nasa.gov/satellite_missions/restricted.html) for a complete discussion.

- 1) Elevation restrictions: Certain satellites have a risk of possible damage when ranged near the zenith. Therefore a mission may want to set an elevation (in degrees) above which a station may not range to the satellite.
- 2) Go/No-go restrictions: There are situations when on-board detectors on certain satellites are vulnerable to damaged by intense laser irradiation. These situations could include safe hold position or maneuvers. A small ASCII file is kept on a computer controlled by the satellite's mission which includes various information and the literal "go" or "nogo" to indicate whether it is safe to range to the spacecraft. Stations access this file by ftp every 5-15 minutes (as specified by the mission) and do not range when the flag file is set to "nogo" or when the internet connection prevents reading the file.
- 3) Segment restrictions: Certain satellites can allow ranging only during certain parts of the pass as seen from the ground. These missions provide station-dependent files with lists of start and stop times for ranging during each pass.
- 4) Power limits: There are certain missions for which the laser transmit power must always be restricted to prevent detector damage. This requires setting laser power and beam divergence at the ranging station before and after each pass. While the above restrictions are controlled by software, this restriction is often controlled manually.

Many ILRS stations support some or all of these tracking restrictions. You may wish to work through the ILRS with the stations to test their compliance with your restrictions or to encourage additional stations that are critical to your mission to implement them.

The following information gives the ILRS a better idea of the mission's restrictions. Be aware that once predictions are provided to the stations, there is no guarantee that forgotten restrictions can be immediately enforced.

Are there any science instruments, detectors, or other instruments on the spacecraft that can be damaged or confused by excessive radiation, particularly in any one of these wavelengths (532nm, 1064nm, 846nm, or 432nm)?

- No       Yes (specify the instrument or detector in question, providing the wavelength bands and modes of sensitivity.)

Are there times when the LRA (Laser Retroreflector Array) will not be accessible from the ground?

- No       Yes (specify: \_\_\_\_\_)

(If so, go/nogo or segmentation files might be used to avoid ranging an LRA that is not accessible.)

→ Skip the next questions and go directly to SECTION III if you answered "No" to both of the above questions.

Is there a need for an elevation tracking restriction?

- No     Yes (What elevation (minimum to maximum in degrees)? \_\_\_\_\_ degrees )

Is there a need for a go/no-go tracking restriction?

- No     Yes (Explain the reason(s) \_\_\_\_\_)

Is there a need for a pass segmentation restriction?

- No     Yes (Explain the reason(s) \_\_\_\_\_)

Is there a need for a laser power restriction?

- No
- Yes    (Under what circumstances? \_\_\_\_\_)
- (What is the maximum permitted power level **at** the satellite (nJ/cm<sup>2</sup>)? \_\_\_\_\_)
- (Is manual control of laser transmit power acceptable?     Yes     No)

For ILRS stations to range to satellites with restrictions, the mission sponsor must agree to the following statement:

*"The mission sponsor agrees not to make any claims against the station or station contractors or subcontractors, or their respective employees for any damage arising from these ranging activities, whether such damage is caused by negligence or otherwise, except in the case of willful misconduct."*

Please provide signature to express agreement to above statement:

Signature: \_\_\_\_\_

Date: \_\_\_\_\_

Name (print): \_\_\_\_\_

Organization and Position: \_\_\_\_\_

**Other comments on tracking restrictions:**  
(specify)

None
------

**SECTION III: RETROREFLECTOR ARRAY INFORMATION:**

A prerequisite for accurate reduction of laser range observations is a complete set of pre-launch parameters that define the characteristics and location of the LRA on the satellite. The set of parameters should include a general description of the array, including references to any ground-tests that may have been carried out, array manufacturer and whether the array type has been used in previous satellite missions. So the following information is requested:

Retroreflector Primary Contact Information:

Name: Yoshimi Ohshima

Organization and Position: Mission Design Department Space Systems Division, NEC Corporation, Assistant Manager

Address: Mail Code :41000 1-10 Nisshin-cho, Fuchu-city, Tokyo, 183-8501, Japan.

Phone No.: +81 42 333 3938

E-mail Address: y-ohshima@cb.jp.nec.com

Array type:

- Single reflector    Spherical    Hemispherical/Pyramid    Planar  
 other (specify: \_\_\_\_\_ )

Attach a diagram or photograph of the satellite that shows the position of the LRA, at the end of this document.

Attached

Attach a diagram or photograph of the whole LRA at the end of this document.

- Attached    Same as above, Not attached (acceptable only for a cannonball satellite)

Array manufacturer:

Honeywell Technology Solutions Inc.

Link (URL and/or reference) to any ground-tests that were carried out on the array:

n/a

Has the LRA design and/or type of cubes been used previously?

- No    Yes (List the mission(s): QZS-1, ETS-VIII)

For accurate orbital analysis it is essential that full information is available in order that the 3-dimensional position of the satellite center of mass may be referred to the location in space at which the laser range measurements are made. To achieve this, the 3-D location of the LRA phase center must be specified in a satellite-body-fixed reference frame with respect to the satellite's mass center. In practice this means that the following parameters must be available at 1 mm accuracy or better.

Define the satellite-body-fixed XYZ coordinates (i.e. origin and axes) on the spacecraft:  
(specify) (add a diagram in the attachment)

see in the diagram in the attachment.

Relate the satellite-body-fixed XYZ coordinates to a Celestial/Terrestrial/Solar Reference Frame including the attitude control policy:  
(specify) (add a diagram in the attachment)

Z axis points toward Earth.

The 3-D location of the satellite's mass center in satellite-body-fixed XYZ coordinates is:

- Always fixed at (0, 0, 0)
- Always fixed at ( \_\_\_\_\_ , \_\_\_\_\_ , \_\_\_\_\_ ) in mm
- Time-varying by approximately ( 70 \_\_\_\_\_ ) mm during the mission lifetime.  
Will a time-variable table of the mass center location be available on the web?
  - No
  - Yes (URL: \_\_\_\_\_ )

The 3-D location (or time-variable range) of the phase center of the LRA in the satellite-body-fixed XYZ coordinates:

(-988.2 \_\_\_\_\_ , -860.8 \_\_\_\_\_ , 4373.3 \_\_\_\_\_ ) in mm

The following information on the corner cubes must also be supplied.

The XYZ coordinates referred to in the following are given in:

- Satellite-body-fixed system (same as above)
- LRA-fixed system (specify below)  
(specify the origin and orientation) (add a diagram in the attachment )



List the position (XYZ) of the center of the front face of each corner cube, and the orientation (two angles or normal vector) and the clocking (horizontal rotation) angle of each corner cube. Note that the angles should be clearly defined.

- Attached at the end of this document
- Listed here (acceptable for small number (10 or fewer) of corner cubes)  
(specify) (add a diagram in the attachment)

n/a
-----

Is the corner cube recessed in its container (i.e. can the container obscure a part of the corner cube)?

- No
- Yes (specify below)

(specify) (add a diagram)

--

The size of each corner cube: Diameter (40.6) mm Height (29.7) mm

The material from which the cubes are manufactured (e.g. quartz):

quartz

The refractive index of the cube material

= 1.461 for wavelength  $\lambda = 0.532$  micron

= N/A as a function of wavelength  $\lambda$  (micron):

The group refractive index of the cube material, as a function of wavelength  $\lambda$  (micron):

= 1.461 for wavelength  $\lambda = 0.532$  micron

= N/A as a function of wavelength  $\lambda$  (micron):

Dihedral angle offset(s) and manufacturing tolerance (in arcseconds):

0.8 +/- 0.3

---

Radius of curvature of front surfaces of cubes:

Not applied     Yes (specify: \_\_\_\_\_)

Flatness of cubes' surfaces:

53.2nm

---

Back-face coating:

Uncoated     Coated (specify the material: MgF2 anti-reflective)

**Other comments on LRA:**

(specify) (add a reference to a study of the optical response simulation/measurement if available) (add a diagram if applicable)

n/a

**SECTION IV: MISSION CONCURRENCE**

As an authorized representative of the QZS-2 mission, I hereby request and authorize the ILRS to track the satellite described in this document.

Name (print): Hikomichi Moriyama

Organization and Position: National Space Policy Secretariat  
QZSS Strategy Office(QZSO)  
Executive Director for QZSS Strategy

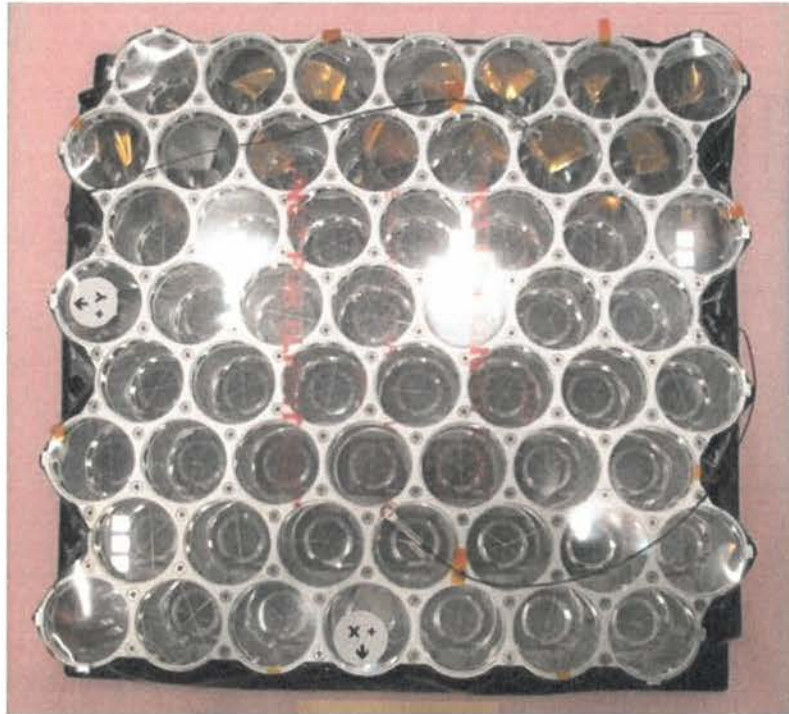
Signature: 

Date: 29-May-17

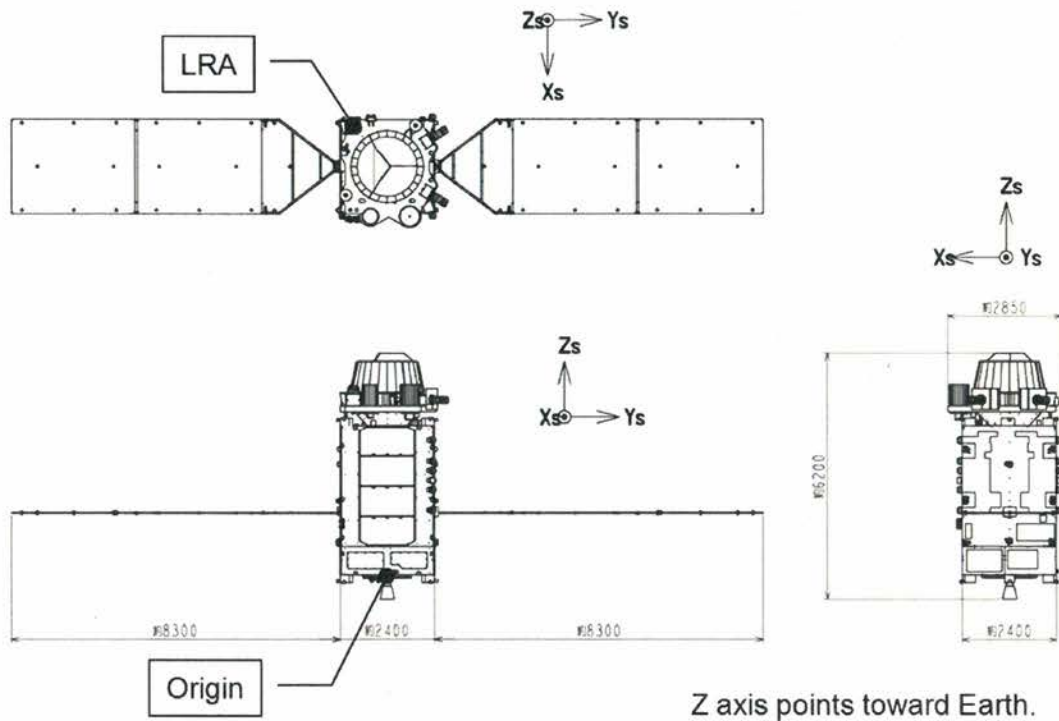
Send form to: ILRS Central Bureau  
c/o Carey Noll  
NASA GSFC  
Code 690  
Greenbelt, MD 20771  
USA  
301-614-6542 (Voice)  
301-614-6015 (Fax)  
Carey.Noll@nasa.gov

**SECTION V: ATTACHMENT(S)**

1. Photographs of LRA



2. Diagram of satellite-body-fixed XYZ coordinates on the spacecraft



3. Center of Mass Information

3-D location (possibly time-dependent) of the satellite's mass center relative to a satellite-based origin:

At BOL, the satellite's mass center is given by  $(x,y,z)=(0.0, 0.0, 1812.6)$  [mm]

At EOL, the satellite's mass center is given by  $(x,y,z)=(0.0, 0.0, 1882.3)$  [mm]